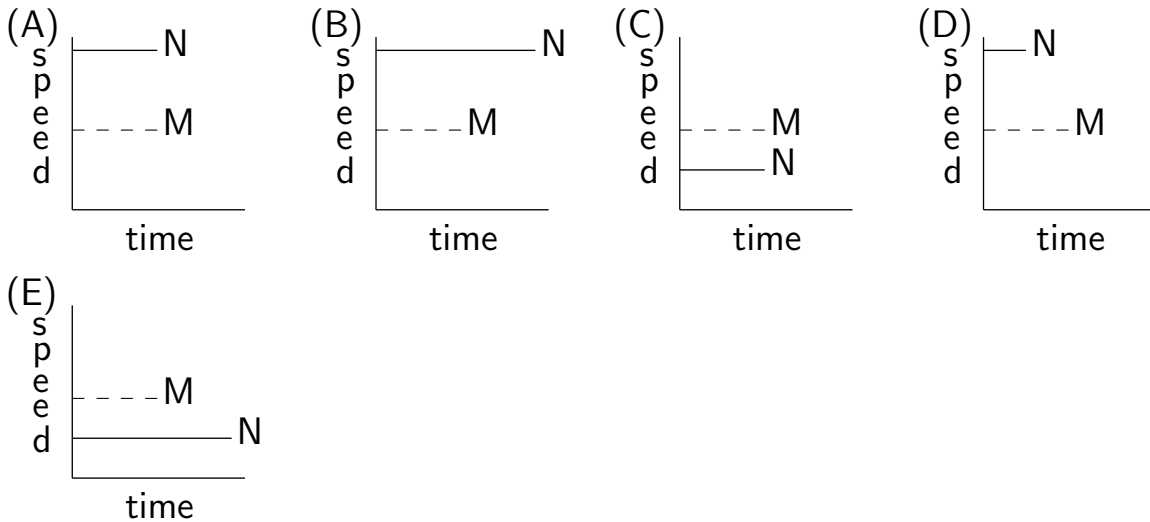


- Car M traveled at a constant speed for a given time. This is shown by the dashed line. Car N traveled at twice the speed for the same distance. If the solid line represents the collected data for Car N, which graph illustrates this?



2001 AMC 8, Problem #19— “How much time is required for the Car N compared to Car M?”

- Solution

(D) The second car travels the same distance at twice the speed; therefore, it needs half the time required for the first car. Graph D shows this relationship.

Difficulty: Hard

NCTM Standard: Data Analysis and Probability Standard: Develop and evaluate inferences and predictions that are based on data

Mathworld.com Classification: Geometry > Distance > Distance